



Item No.: _____
Quantity: _____
Project Name: _____
SIS#: _____
AIA/CSI#: _____

Breading & Batter Table

Model BBT



Chicken preparation was never simpler than with the Giles Portable Breading and Batter Table. It features a canted Holding Shelf for the container of fresh chicken ready for breading; a batter pan with a spring loaded, hinged basket to dip the chicken into a batter mixture and then dump it directly into the breading - makes preparation quick and easy.

Stainless steel pans easily lift out for quick clean-up. The breading pan features a removable plug and when removed the used breading falls through to the manual sifter below. A few quick shakes and breading is sifted into a container, reclaimed for continued use.

The removable staging tray attaches to either side of the BBT, allowing for easy loading of breaded product into the fryer.

Design Features



Manual Breading Sifter

The manual sifter sits in a slide rack that fits nicely on top of a plastic food box ... a little shaking and the "used" breading is sifted into the container, ready for continued use. Breading debris and dough-balls are ready for the trash.



Listings



Giles Foodservice Equipment

An ISO 9001-2008 Registered Company • Committed to Quality

2750 Gunter Park Drive West • Montgomery, AL 36109 USA

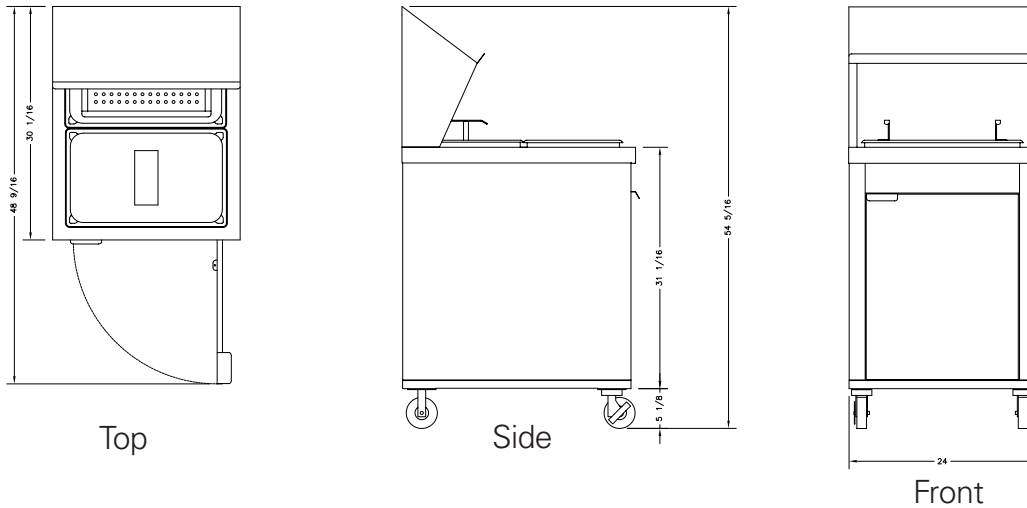
334.272.1457 • Fax 334.239.4117 • Phone Toll Free: 800.554.4537

Web Site: www.gfse.com • Email: services@gfse.com

Breading & Batter Table

Model BBT

Item No.: _____
 Quantity: _____
 Project Name: _____
 SIS#: _____
 AIA/CSI#: _____



Inches [mm]

Specifications

We reserve the right to change specifications and product design without notice. Such revisions do not entitle the buyer to corresponding changes, improvements additions or replacement of previously purchased equipment.

Construction:

Cabinet and Shelves: 18-Ga Stainless Steel

Dimensions:

Width: 24" [610 mm]
 Depth: 30" [762 mm]
 Height: 54-5/16" [1380 mm]

Breading Pan: 20" W X 12-13/16" L X 8" D
 [508 mm X 325 mm X 203 mm]

Batter Pan: 20" W X 13" L X 6" D
 [508 mm X 330 mm X 152 mm]

Food Boxes: 18" W X 26" L X 6" Depth
 [457 mm X 660 mm X 152 mm]

Listings:

NSF

Product Designation:

BBT

Shipping Specifications:

Crated Weight:
 BBT: 209 lbs [95 kg]

BBT Crated Cube Size: 40" X 48" X 45" = 50 cu ft
 [1016 mm X 1219 mm X 1143 mm = 1.071 cu m]

Accessories Included

Unit is shipped with (1) Breading Pan, SS Pan Plug Assembly, (1) Batter Pan, (2) Plastic Food Boxes, (1) Plastic Lid, (1) Plastic Colander, (1) Stainless Steel Sifter & Rack, (1) Dunking Basket Assembly, (1) Sifter Table.

NOTE: The Holding Shelf must be field installed, hardware is included.

How To Specify

1. Models

Specify part number from the following:

Qty	Model	Part Number
<input type="checkbox"/>	BBT	70756

2. Accessories (*additional charge)

Specify part number and quantity of the following accessory items needed:

Qty	Model	Part Number
<input type="checkbox"/>	Breading Pan, 8"	39368
<input type="checkbox"/>	Batter Dip Pan, 6"	38902
<input type="checkbox"/>	Plastic Food Pan, White	70785
<input type="checkbox"/>	Plastic Food Pan Lid, White	74700
<input type="checkbox"/>	Plastic Colander	71725
<input type="checkbox"/>	Breading Pan Plug Assembly	91469

Giles Foodservice Equipment

2750 Gunter Park Drive West • Montgomery, AL 36109 USA
 334.272.1457 • Fax 334.239.4117 • Phone Toll Free: 800.554.4537
 Web Site: www.gfse.com • Email: services@gfse.com

3. Shipping

Specify the shipping method