



Item No.: \_\_\_\_\_  
 Quantity: \_\_\_\_\_  
 Project Name: \_\_\_\_\_  
 SIS#: \_\_\_\_\_  
 AIA/CSI#: \_\_\_\_\_

# Portable Oil Caddy

## Model GOC



The versatile Giles Portable Oil Caddy lets you safely remove old shortening from your fryers and easily transport it for disposal.

The Portable Oil Caddy will pump new, as well as, used shortening. When extraction of oil is required, reverse the flow by simply turning the pump crank handle in the opposite direction.

The portability of the Giles Oil Caddy makes it flexible and efficient, saving you time and money. It's the perfect way to handle your waste cooking oil.

### Design Features

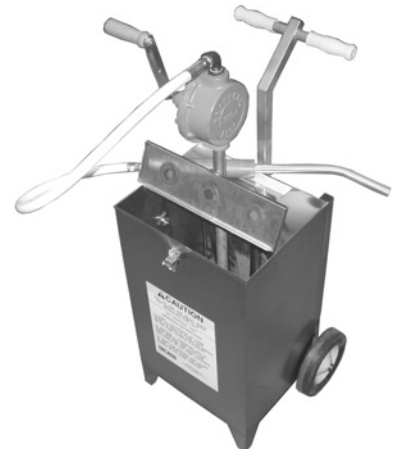


#### **Sight Glass**

Equipped with a Sight Glass for easy viewing of fill level, preventing over-filling and spillage.

#### **Shortening Storage**

It has enough storage volume to hold the oil from two medium size fryers (approx. 80 lbs of shortening).



### Listings

#### Giles Foodservice Equipment

An ISO 9001 Registered Company

2750 Gunter Park Drive West • Montgomery, AL 36109 USA

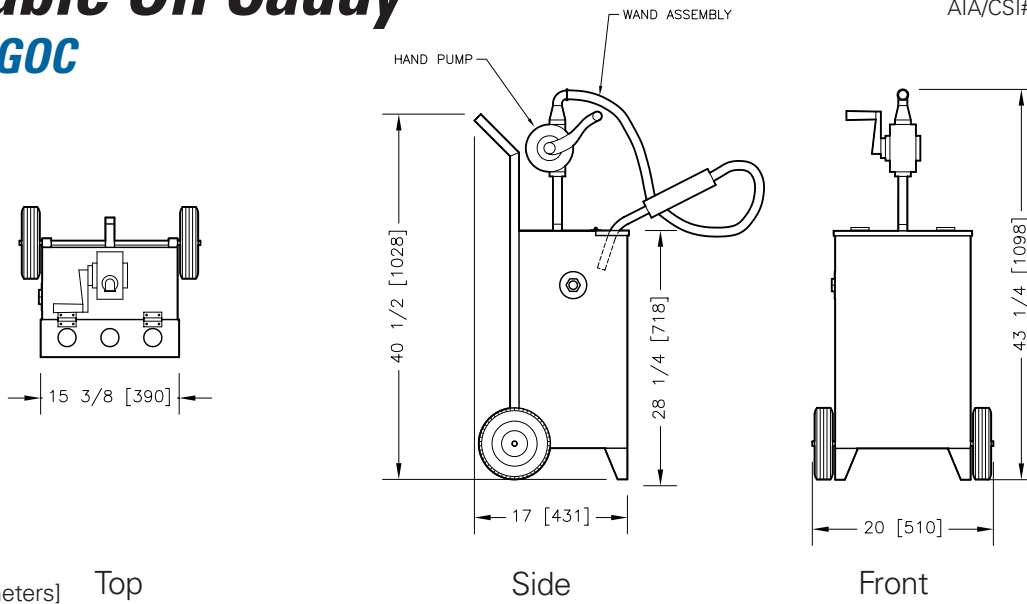
334.272.1457 • Fax 334.239.4117 • Phone Toll Free : 800.554.4537

Web Site: [www.gfsequipment.com](http://www.gfsequipment.com) • Email: [services@gfsequipment.com](mailto:services@gfsequipment.com)

# Portable Oil Caddy

## Model GOC

Item No.: \_\_\_\_\_  
 Quantity: \_\_\_\_\_  
 Project Name: \_\_\_\_\_  
 SIS#: \_\_\_\_\_  
 AIA/CSI#: \_\_\_\_\_



Inches [millimeters] Top

Side

Front

### Specifications

We reserve the right to change specifications and product design without notice. Such revisions do not entitle the buyer to corresponding changes, improvements, additions or replacements for previously purchased equipment.

#### Construction:

Tank: 16Ga - 18Ga Stainless Steel

#### Dimensions:

Width: 20" [508mm]  
 Depth: 17" [432 mm]  
 Height: 43-1/4" [1099 mm]

#### Operating Temperature:

Maximum Operating Temp: 350° F (177°C)  
 Minimum Operating Temp: 100°F (38°C)

{For use with filtered oil only}

#### Capacity:

Holding Capacity: 80 lbs of liquid shortening

#### Listings:

N/A

#### Product Designation:

GOC

#### Shipping Specifications:

Crated Weight: 67 lbs [137 kg]  
 Crated Cube Size: 21" X 18" X 46" = 10 cu ft  
 [534mm X 457mm X 1169mm = .3 cu meters]

### Accessories Included

Unit is shipped with (1) Discharge Hose.

### How To Specify

#### 1. Ordering Options

Specify the part number:

|                          | Model | Part Number |
|--------------------------|-------|-------------|
| <input type="checkbox"/> | GOC   | 79187       |

#### 2. Shipping

Specify the shipping method

### Giles Foodservice Equipment

2750 Gunter Park Drive West • Montgomery, AL 36109 USA  
 334.272.1457 • Fax 334.239.4117 • Phone Toll Free: 800.554.4537  
 Web Site: www.gfsequipment.com • Email: services@gfsequipment.com