



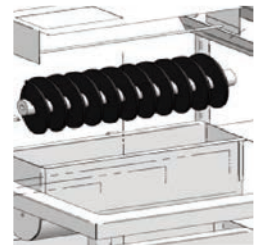
Scissors are not included

All professional food service operators know that freshly breaded fried foods always taste best. Now, breading prep work has never been easier or more efficient than with Giles' new Breading / Batter Table / Auto-Sifter.

- **Integral Automatic Power Sifter** - nylon bristle, spiral brush auger efficiently sifts breading while simultaneously ejecting unwanted dough-balls ... renews breading and extends its life to reduce costs.
- **Hand-held Dip Basket** - dip product into your batter mixture, lift & dump it directly into breading pan ... hangs between the pans when not used.
- Full-size stainless steel breading & batter pans ... breading pan has cutout in bottom w/plug - when ready to sift, remove plug & simply scrape breading directly into the power rotary sifter below pan.
- Slide-out lower rack holds pan for sifted breading & a small dough-ball catch pan.
- 2-Year Parts & Labor Warranty

Design Features

- Power rotary brush auger sifts & blends while simultaneously ejecting dough-balls.
- Brush action sifting keeps breading ingredients evenly mixed, which is more consistent than the separation that can happen with a shaker sifter.
- Fully enclosed sifter w/only 3 parts - reduces dust, easily disassembled for clean-up in sink.
- 60 second auto-cycle timer frees up kitchen staff & saves energy.
- Durable direct drive gear-motor ... quiet, vibration-free operation.
- Heavy-duty swivel casters on all four legs w/ locking brakes on front wheels.



Standard Items Included

Part No.	Description
95410	Dipping Basket w/ Handles
41563	Sifter Brush (2)
70875	White Food Box 26" X 12" X 6"
74700	White Food Box Lid
71725	Colander

Part No.	Description
38902	Full-size, 6" Deep, Stainless Pan w/ Emboss
39368	Full-size, 8" Deep, Stainless Pan with hole
91469	Breading Pan Plug
72091	1/3 Size, 8" Deep, Stainless Pan
78607	Full-size, 8" Deep, Stainless Pan without hole

GILES Food Service Equipment

ISO 9001-2015 Certified

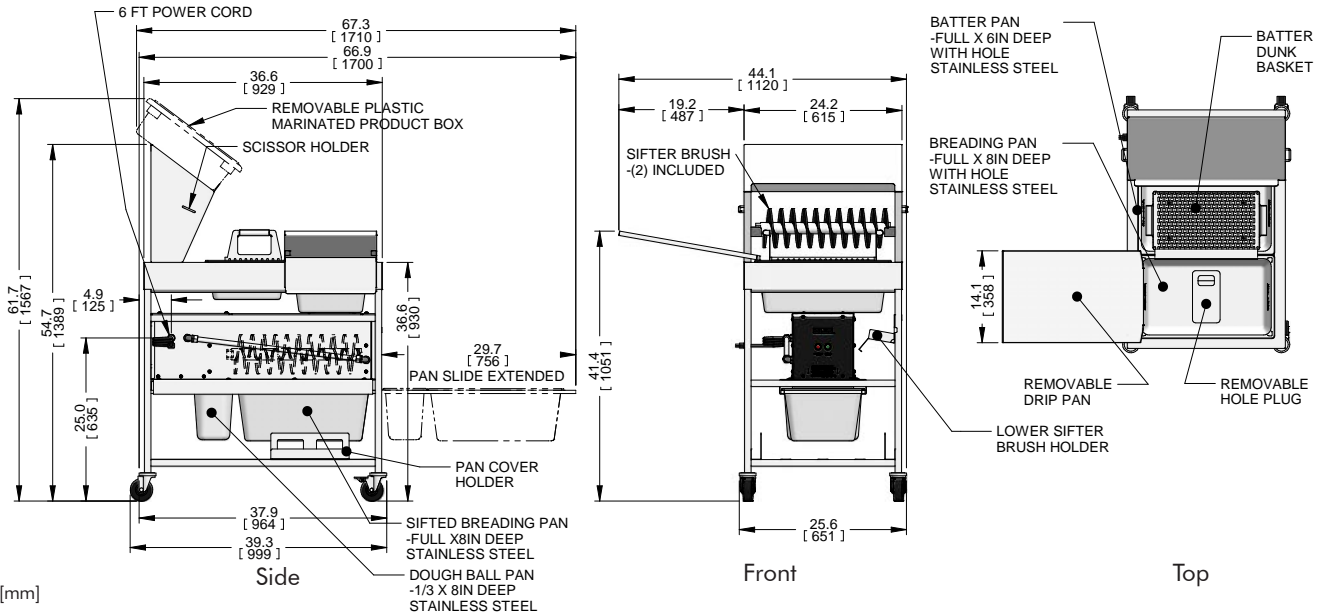
2750 Gunter Park Drive West • Montgomery, AL 36109 USA
 Phone 334.272.1457 • Fax 334.239.4117 • Phone Toll Free 800.554.4537
 Website: www.gfse.com • Email: services@gfse.com





PROVEN & TRUSTED SINCE 1952

Breading/Batter Table w/ Auto-Sifter BBT-A



Inches [mm]

Specifications

*Specifications and/or product design are subject to change without notice. Such revisions do not entitle the buyer to corresponding changes, improvements, additions or replacements for previously purchased equipment.

Dimensions:			
Width	Depth	Height	Floor Space
25.6" [651mm]	37.9" [954mm]	54.7" [1389mm]	6.7 sq.ft. [0.62 sq.m]

Electrical Specifications: (Service cord w/ plug)				Shipping Specifications:					
Voltage	Phase	Amps	Wire	Width	Depth	Height	Cube	Crated Wt.	Uncrated Wt.
115	1	1.44	2 wire + Ground	32" [813mm]	44" [1118mm]	64" [1626mm]	51 ft ³ [4.7m ³]	205 lbs [93 kg]	105 lbs [68 kg]
230	1	0.71	2 wire + Ground						

How to Specify

Step 1: Select Base Part Number

X X X X X

Model	Voltage	Part Number
BBT-A	115/60/1	72111
BBT-A	230/60/1	72112

NOTE: Some field assembly and set-up is required

Step 2: Select Extra/Optional Accessories & Quantities

Qty.	Description	Part No.
	Dipping Basket w/ Handles	95410
	Sifter Brush	41563
	White Food Box 26" X 12" X 6"	70875
	White Food Box Lid	74700
	Colander	71725

Qty.	Description	Part No.
	Full-size, 6" Deep, Stainless Pan w/ Emboss	38902
	Full-size, 8" Deep, Stainless Pan with hole	39368
	Breading Pan Plug	91469
	1/3 Size, 8" Deep, Stainless Pan	72091
	Full-size, 8" Deep, Stainless Pan without hole	78607

GILES Food Service Equipment

ISO 9001-2015 Certified

2750 Gunter Park Drive West • Montgomery, AL 36109 USA
 Phone 334.272.1457 • Fax 334.239.4117 • Phone Toll Free 800.554.4537
 Website: www.gfse.com • Email: services@gfse.com



67217
 REV-C
 ECO3610
 03/31/2026
 PRINTED IN USA